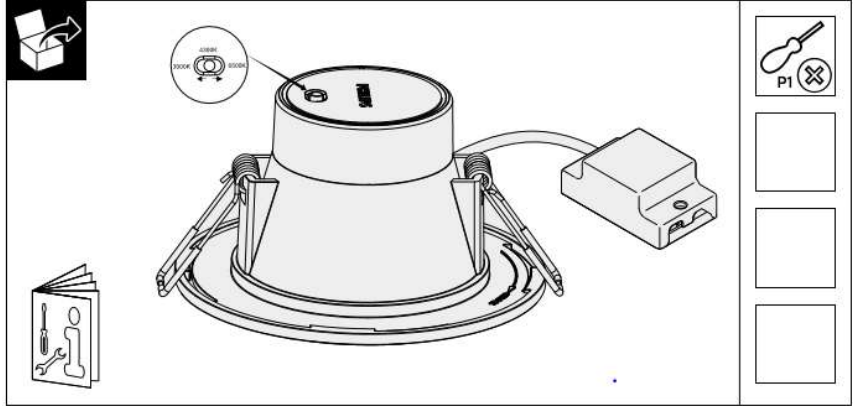


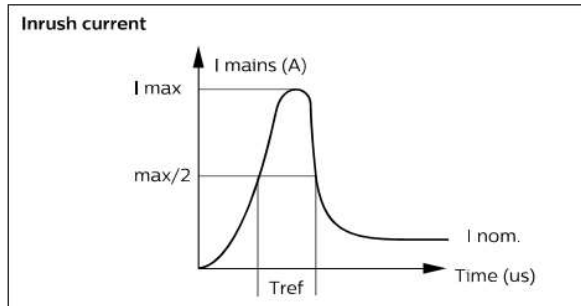
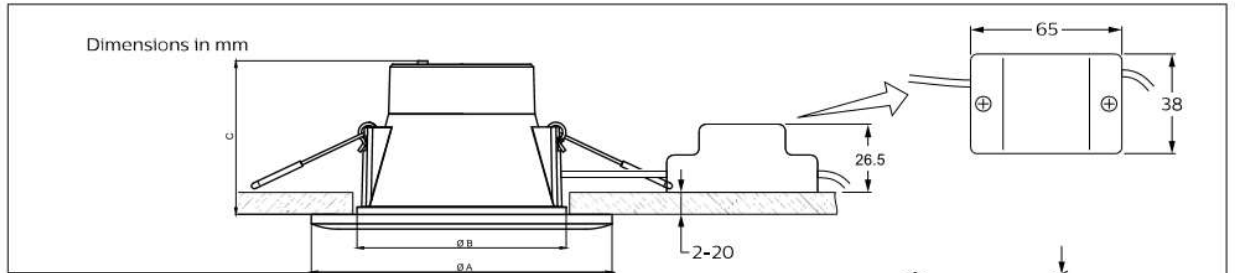
# PHILIPS

Ledinaire Downlight

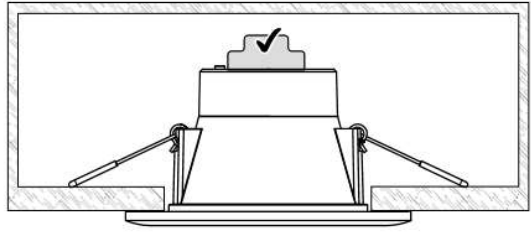
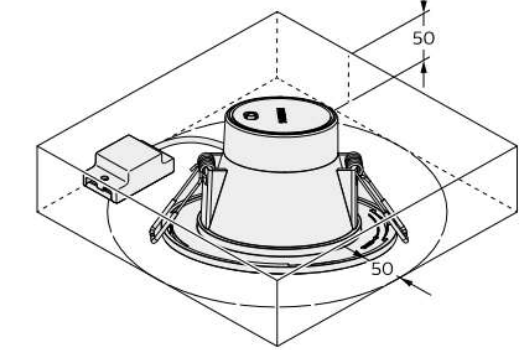
DN029B



	CCT	Output (lm)	P (W)	A	B	C	Ø mm	kg
DN029B D90	3000K	850	8.5	115	85	59	Ø 85-95	0.155
	4300K/6500K	900						
DN029B D150	3000K	1200	14	175	145	60	Ø 145-155	0.32
	4300K/6500K	1350						
DN029B D200	3000K	2000	24	225	195	60	Ø 195-205	0.56
	4300K/6500K	2300						



	D90	D150	D200
Electrical characteristics			
I <sub>max</sub> (A)	2.5	3	4.5
T <sub>ref</sub> (µs)	160	250	300
MCB Luminaires Max.			
B-10 A	166	118	58
B-13 A	216	154	76
C-10 A	255	164	95
C-13 A	332	213	124
C-16 A	408	262	153



The external flexible cable or cord of this luminaire cannot be replaced; if the cord is damaged, the luminaire shall be destroyed.

