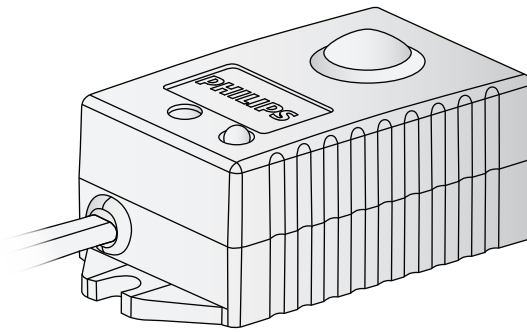


PHILIPS

ActiLume G2 RF
Mov Sensor

LRM8140



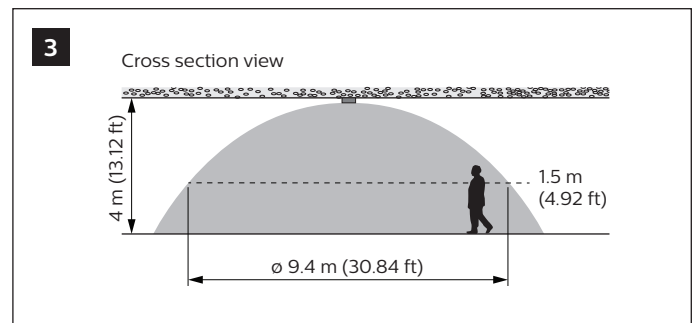
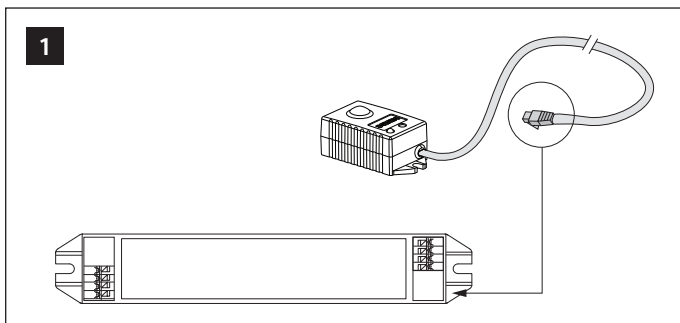
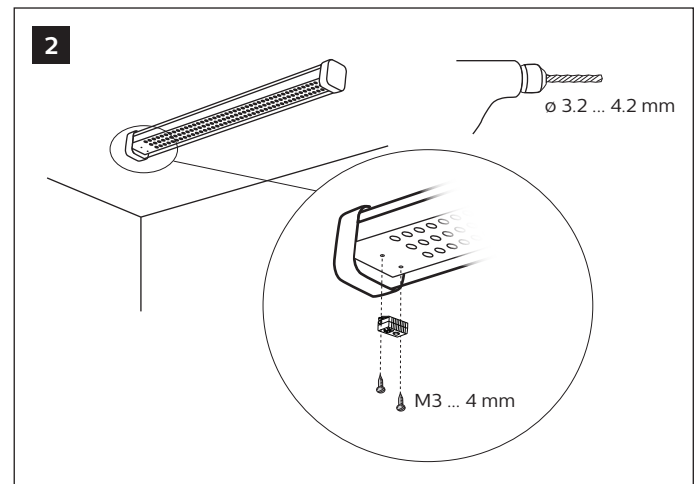
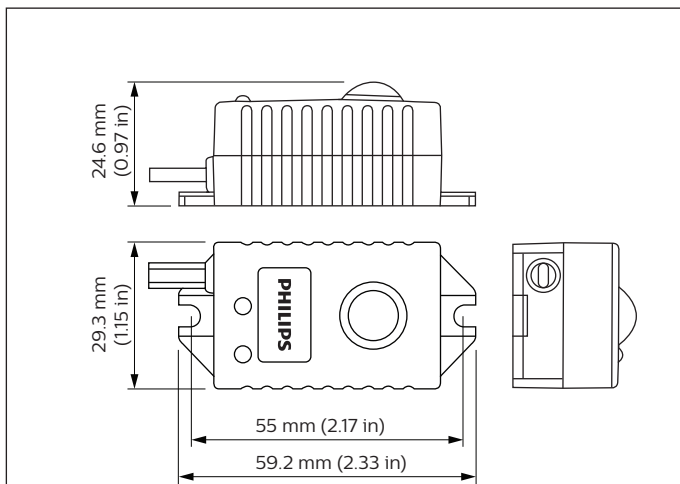
Installation Instructions

Instructions d'installation
Instrucciones de instalación

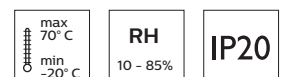
Istruzioni per l'installazione
Installatie-instructies

Installationsanweisungen
インストール手順

安装指示书
إرشادات التركيب



© 2018 Signify Holding. All rights reserved. Specifications are subject to change without notice. No representation or warranty as to the accuracy or completeness of the information included herein is given and any liability for any action in reliance thereon is disclaimed. Philips and the Philips Shield Emblem are registered trademarks of Koninklijke Philips N.V. All other trademarks are owned by Signify Holding or their respective owners.
3222 636 45263 18 December 2018



www.philips.com/lighting